

INTECONT Satus Indicator System for Belt Weighers

- Clear text operator guidance on back lighting LCD display
- Stainless steel housing with high protection class
- Table-top or wall mounting
- Various fieldbus interfaces
- Ethernet interface, also for parameterization
- All components can be exchanged without readjustment



Application

The INTECONT Satus indicator system is designed for applications in which bulk solids flows are to be measured and registered with high precision using belt weighers (MULTIBELT).

The consistent focus on what is necessary for the application makes the INTECONT Satus a simple and modern device.

Equipment and functionality

The INTECONT Satus VKG 20790 belt weigher electronics have a stainless steel console housing with IP65 protection as standard, which is suitable for horizontal desk-top mounting or vertical wall mounting.

The device has an easy-to-read, backlit LCD display for displaying the measured values, which is also used for plain text user guidance. Data is entered via a membrane keypad with 6 keys. All parameters can be set using the keypad or the EasyServe PC program.

As Ethernet is becoming more and more established as a communication standard in the industrial sector, a 10/100 Mbaud network connection is provided as standard. The same applies to the tried and tested Modbus.

The fieldbus options PROFIBUS-DP V0, PROFINET, DeviceNet, Ethernet Modbus/TCP and Ethernet/IP are available.

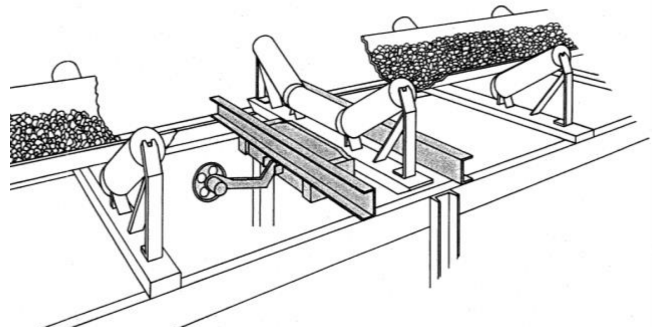
INTECONT Satus

- Stainless steel housing with a high protection class
- All connections are assigned permanently
- Hardware replacement without loss of parameters
- Self-explanatory functionality: simple and easy to understand configuration
- Complexity minimized: only the most necessary parameters need to be set, therefore only 18 operational parameters
- 6 keys are sufficient for input and operation
- 5 dialog languages selectable: German, English, French, Spanish, Italian
- Approved EasyServe service program; connection serial or via Ethernet
- Interfaces "on board": Modbus serial; Ethernet with Modbus/TCP protocol
- Optional fieldbus options: PROFIBUS-DP V0; DeviceNet; Ethernet with Ethernet/IP protocol, PROFINET



Belt weigher application

- Can be installed directly on site at the scale
- Quick and easy commissioning
- Automatic detection of the bulk solids flow
- Totalizing counter
- Belt load monitoring
- Zero-drop-out (no totalization with low belt load, empty belt)



Everything at a glance

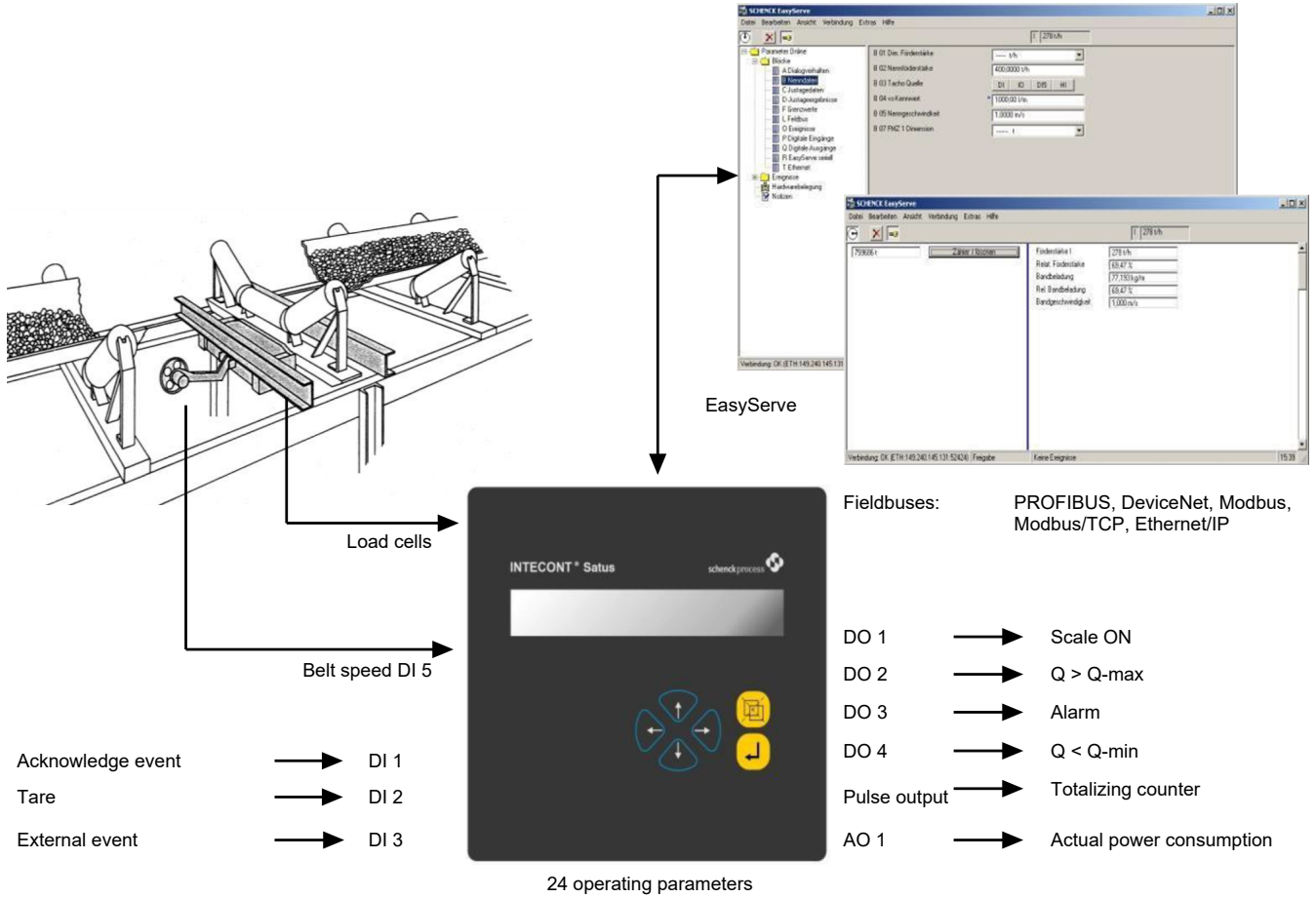
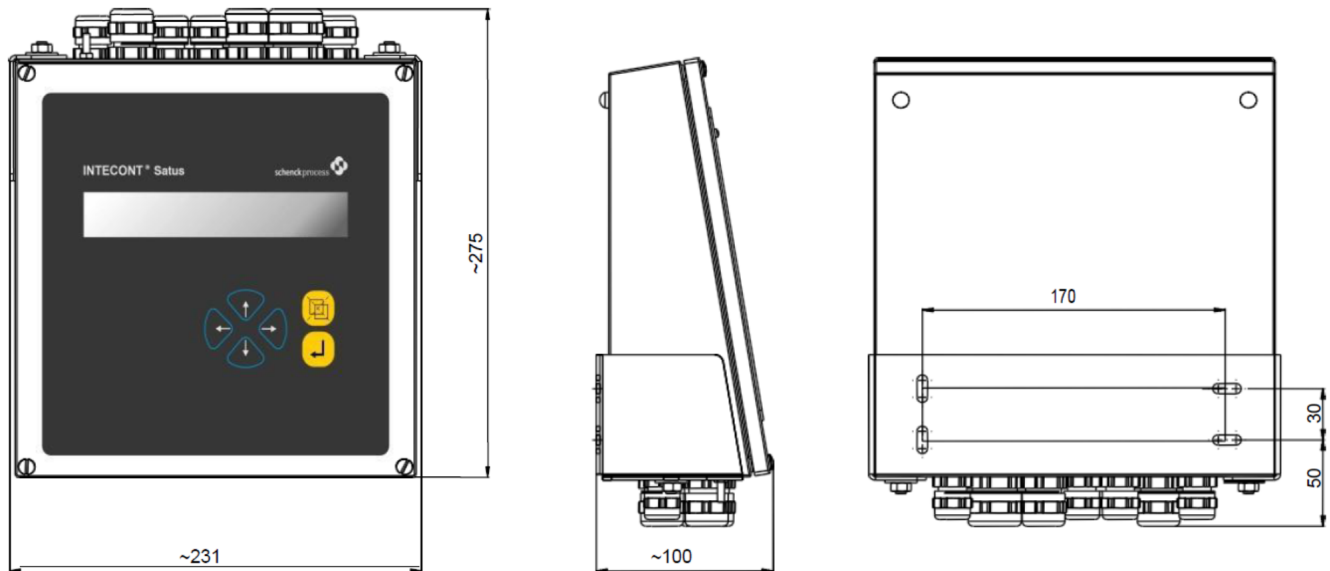


Table-top mounting / Wall mounting



[All dimensions in mm]

Technical Data

Display	LCD 1-line 20 characters, character height 12 mm, backlighting	
Keyboard	6 keys; protect the keypad and display from prolonged exposure to direct sunlight	
Voltage	85 – 240 VAC, 50 – 60 Hz, max. 10 VA / variant 24 VDC	
Housing	Stainless steel 1.4301, deep-drawn, IP65	
Temperature	Operating temperature: -30 °C ... +60 °C	
Scale connection	Power supply: 5 V alternating voltage Measuring range: -20 mV ... +20 mV Load cell impedance: $R_{min} 47 \Omega$ Cable length: max. 1000 m	
Units	kg, t, lb; kg/h, t/h, lb/h	
Taring	Start via binary input or keypad	
Belt monitoring	Zero-drop-out; belt load > max / < min	
Binary inputs	3 x optocouplers, 18 – 36 VDC, typ. 5 mA	Assigned signal
		Acknowledge event
		Tare
		External event
Pulse output	1 x digital input according to DIN EN 60947-5-6 (NAMUR), 0.04 – 3000 Hz	Speed
Analog Output	0(4) – 20 mA, 12 Bit, max. imp. 500 Ω	Actual power consumption
Serial interfaces	Interface 1: RS 232 Interface 2: RS 232 Interface 3: RS 485, 2/4-wired Ethernet	EasyServe - no function - Modbus fieldbus Modbus/TCP fieldbus
Optional	PROFIBUS-DP V0, DeviceNet, Ethernet/IP, PROFINET	

Equipment Supplied

Designation	Type	Material number
INTECONT Satus, stainless steel IP65	VKG 20790	V040007.B11
INTECONT Satus with PROFIBUS – fieldbus card	VKG 20792	V060127.B11
INTECONT Satus with DeviceNet – fieldbus card	VKG 20793	V060128.B11
INTECONT Satus with Ethernet/IP – interface	VKG 20795	V060129.B11
INTECONT Satus with PROFINET – interface	VKG 20790 VPN	V052190.B11
INTECONT Satus, stainless steel device IP65, 24 VDC	VKG 20796	V084590.B11
INTECONT Satus with PROFIBUS – fieldbus card, 24 VDC	VKG 20797	V084720.B01
INTECONT Satus with DeviceNet – fieldbus card, 24 VDC	VKG 20798	V084721.B01
INTECONT Satus with Ethernet/IP – interface, 24 VDC	VKG 20799	V084722.B01
INTECONT Satus with PROFINET – interface, 24 VDC	VKG 20790 PN	V596268.B11
Options:		
PROFIBUS fieldbus card	VPB 8020	V054033.B01
DeviceNet fieldbus card	VCB 8020	V081906.B01
Ethernet/IP activation	VET 20700	V040035.B01
PROFINET fieldbus card	VPN 28020	V097103.B01
Spare parts:		
Measuring circuit dongle	VDO 20700	V040013.B01
EasyServe:		
Software on CD	VPC 20150	E144541.01
Cable for EasyServe, 9p / 3p	-	V052410.B01

