

Water Cooled Ball Valve

Construction

Material: Carbon Steel
Diameter: 150mm to 650mm

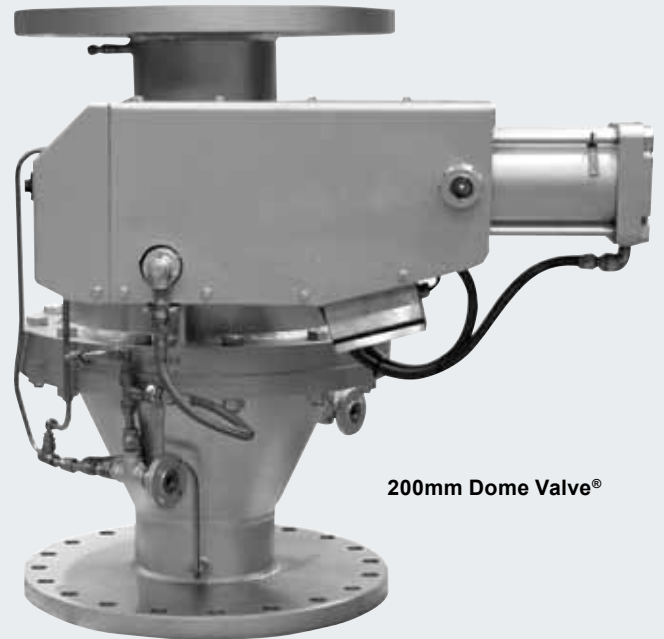
Features

Water cooled valve body. Water cooled ball with seal inflation in the open or closed position. Ball having Triton lining.

Application

Vessel and pipe work isolation

Pressure: 2-3 Barg
Temp: <750°C



200mm Dome Valve®

Key Features

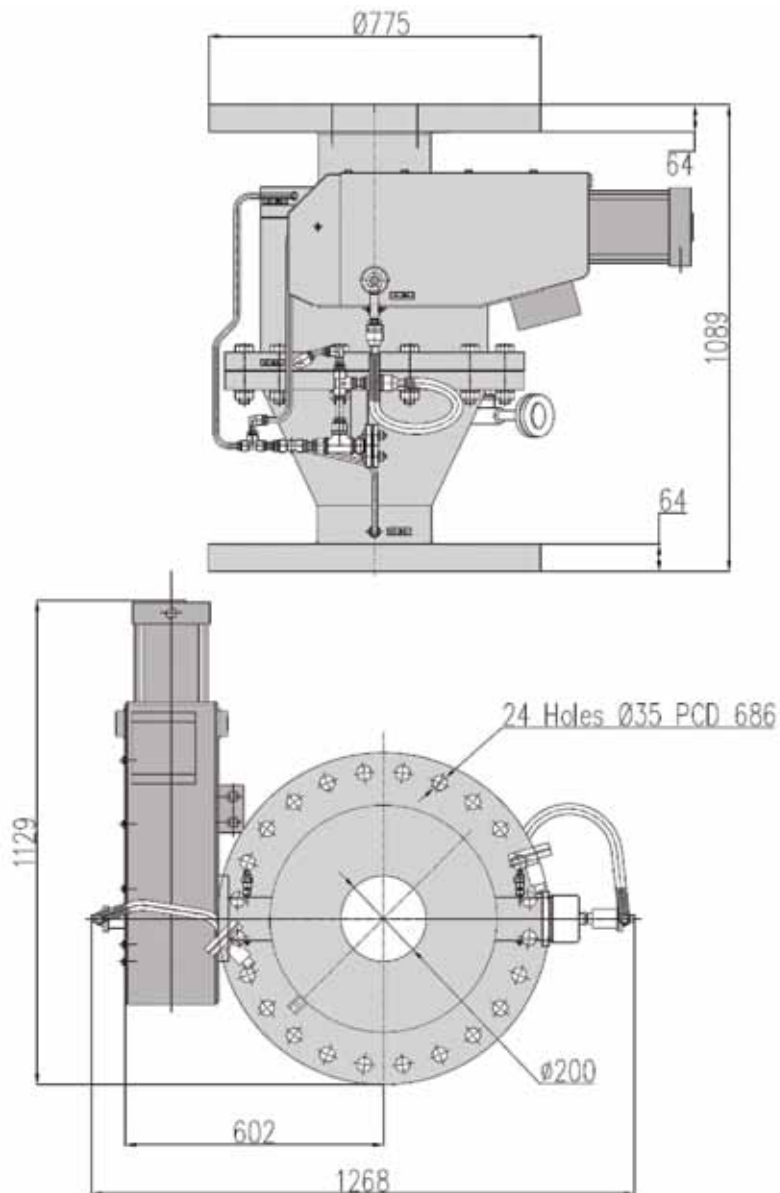
To be read in conjunction with the Schenck Process original Dome Valve® data sheet.

- Sizes from 100mm to 650mm diameter full bore.
- Temperature range from 480 to 750°C.
Below 480°C use Schenck Process Dome Valves®.
- Valves position assumed to be normally closed.
- Pressure range from full vacuum up to 12 Barg.Ø
- Pressure tight sealing up to 750°C.
- Available with anti-abrasion linings.
- These units are bespoke and therefore can be modified to exact process requirements.



High Temperature Water Cooled Ball Valve Dimensions

Dimensions are available upon request. Please contact Schenck Process with your enquiry for further information. Typical example dimensions of a 200mm Water Cooled Ball valve are shown in the diagram below.



For Illustrative Example Purposes Only

Schenck Process UK Limited
Carolina Court, Lakeside, Doncaster
DN4 5RA England

Tel: +44 (0) 1302 321 313

Fax: +44 (0) 1302 554 400

enquires@schenckprocess.co.uk

www.schenckprocess.co.uk

we make processes work