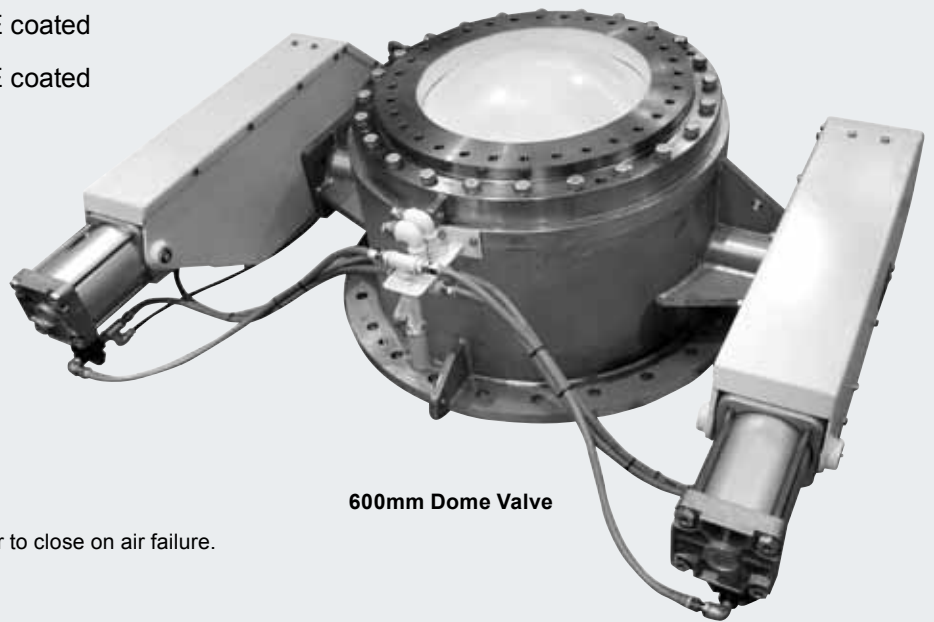


## Stainless Steel Dome Valve®

<b>Type:</b>	Bulkhead
<b>Body:</b>	316 St. St / PTFE coated
<b>Dome:</b>	316 St. St / PTFE coated
<b>Seal:</b>	Silicone
<b>Actuation:</b>	Twin Cylinder
<b>Duty:</b>	Reactor Outlet
<b>Media:</b>	Monomer Gel
<b>Pressure:</b>	4 Barg
<b>Temperature:</b>	80°C



600mm Dome Valve

### Additional Features

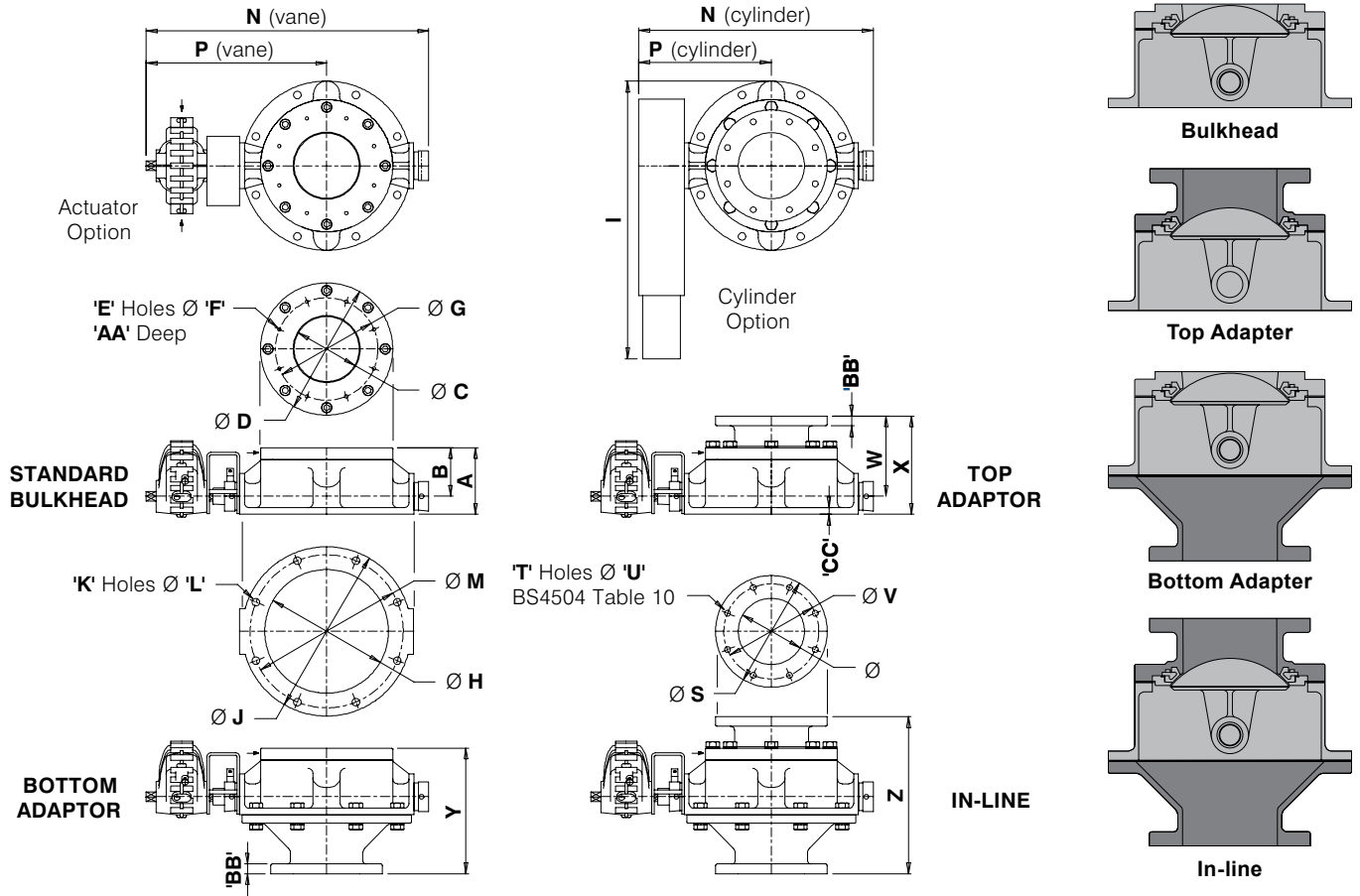
Open/Close proximity switches. Actuator to close on air failure.  
Seal to inflate on air failure.

### Key Features

*To be read in conjunction with the Schenck Process original Dome Valve® data sheet.*

- Sizes available from 50mm to 800mm bore.
- Temperature ranges from -20 to 480°C.
- Suitable for working pressure from Full Vacuum to 16 Barg pressure.
- Valves are specially designed / built for use in the pharmaceutical, food and chemical industry.
- Can be fabricated from various grades of stainless steel.
- Inflatable seals available in neoprene, viton, viton 'extreme', food quality silicone and EPDM.
- Internal and external finishes can be polished, armouccoted or electro polished.
- Crack and crevice free design. 'Clean in place' nozzles can be fitted.





DV	A	B	ØC	ØD	E	ØF	ØG	ØH	I	ØJ	K	ØL	ØM	N (kin)	N (cil)	P (kin)	P (cil)	ØR	ØS	T	ØU	ØV	W	X	Y	Z	AA	BB	CC	WT Kgs In-line
50		74	51	165	4	M16	125	51		165	4	18	125	373		242		50	165	4	18	125			188		23	18	17	
80		90	78	200	8	M16	160	78		200	8	18	160	441		296		78	200	8	18	160			228		23	20	23	
100	137	97	106	250	4	M12	200	240		340	6	18	300	608		402		103	229	8	18	180	173	213	272	348	13	26	20	60
150	169	124	157	320	6	M12	260	312		440	8	22	390	779		513		155	285	8	22	240	212	257	362	450	16	28	20	112
200	205	150	206	406	8	M12	315	390	928	520	8	22	470	870	683	555	368	203	343	8	22	295	247	302	388	485	16	30	20	197
250	249	189	260	390	6	M12	350	480	1212	620	8	26	560	1121	863	725	470	254	407	12	22	360	267	327	487	565	18	32	25	300
300	283	218	306	460	6	M16	410	551	1242	690	12	26	630	1212	963	763	514	305	483	12	22	400	339	404	558	680	18	35	28	392
400	370	285	410	595	16	M16	545	739	1508	1000	12	38	870	1613	1378	999	765	400	580	16	26	515	446	531	723	884	25	45	35	830
500	484	376	508	745	20	M24	620	880	1681	1110	16	39	1030		1740		958	508	745	20	26	620	541	850	857	1273	40	38	45	1300
600	650	425	600	820	20	M27	725	992	1619	1230	24	33	1120		1922		961	600	780	20	30	725	456	881	1127	1350	45	42	52	1920
800	648	529	800	1160	24	M30	950	1260	2000	1455	32	39	1380		2275		1138	800	1015	24	33	950	631	750	1126	1228	50	32	38	2400

Schenck Process UK Limited  
 Carolina Court, Lakeside, Doncaster  
 DN4 5RA England

Tel: +44 (0) 1302 321 313  
 Fax: +44 (0) 1302 554 400

enquires@schenckprocess.co.uk  
 www.schenckprocess.co.uk