

Qlar



Recommended spare parts for your maintenance plan

→ **SIMPLEX FB**



Driving **circular**
transformation

- **Modular LIW feeder for high capacities**
- **Full stainless steel construction with internal agitation**



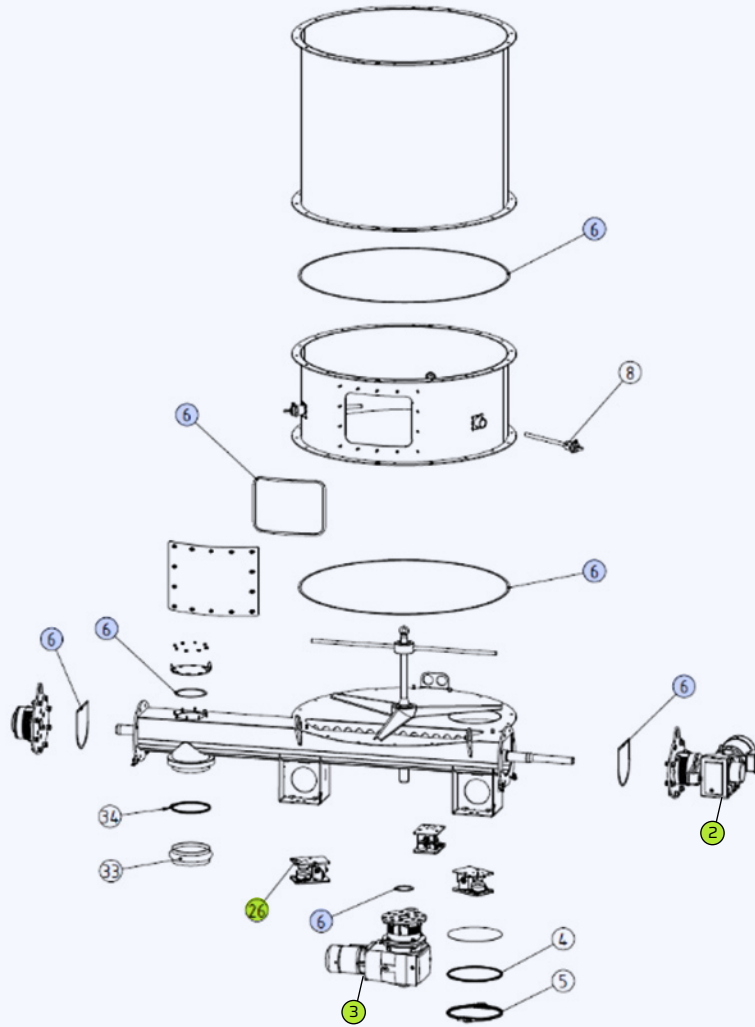
Your **SIMPLEX FB**

The SIMPLEX FB is a high capacity, stainless steel, LIW feeder platform for light, fluffy materials like plastic flakes, cellulose, hemp or carbon fibers and other virgin or recycled materials.

The flat bottom design with vertical hopper walls and bottom driven agitator provides excellent mass flow and utilizes the maximum inlet area of the auger to support feeding of cohesive materials.

When designed as a volumetric feeder, it can be used as a refill system or surge bin for smaller loss-in-weight feeders.





The **spare parts summary** provides a brief overview of recommended stock quantities to enable quick response times for your maintenance team and

highlights any critical spare parts. Any unforeseen defect of critical parts listed below will inhibit productive use of the equipment until the part is replaced.

	Item number	Recommended stock quantities	
		Spare parts	Critical parts
Gearmotor	2		1 pc
Gearmotor	3		1 pc
Weighing module	26		1 pc
Seal kit	6	1 pc	
Flexible connection	33	1 pc	

Maintenance summary

This **maintenance summary** provides a brief overview of inspection & maintenance actions. Please find any further details in the corresponding manual BVH10062.

Inspection & maintenance intervals should be followed carefully to ensure ideal operation of the equipment.

	Recommended frequency	Trigger	Action
Flexible connections	2 weeks interval		Check for damage and overall condition
Cover on the container base	2 weeks interval		Check for damage and overall condition
Fastener of the drive	2 weeks interval		Check for damage and overall condition
Protective conductor	Regularly		Check the fasteners and a secure fit
Reach-in protection and clamps	Regularly	Bulk solids escaping	Check for a secure fit and the overall condition
Load cells on all the machine's standing positions	2 weeks interval		Check for dirt on the loadcells and shunt forces
Check the flange connections	Regularly	Bulk solids escaping at any connection	Check for secure fit of the clamps and connections. Replace as necessary
Check the oil tightness of the drive	2 weeks interval	Oil leakage	Check for major oil leaks. (Small amounts are normal)
Check the oil tightness of the gearbox	2 weeks interval	Oil leakage	Check for major oil leaks. (Small amounts are normal)

Preventive maintenance and cleaning helps to avoid downtime and problems while operating the machine due to material fatigue and dirt accumulations.

	Recommended frequency
Cleaning the entire machine	4 weeks interval
Load cell bearings	4 weeks interval
Check for material build-up of bulk solids	Regularly (depending on the parameters of the bulk solids)



Highest Plant Availability through quick replacement is possible. Our modular design solution enables easy replacement in case of any unforeseen malfunctions. **Spare Units** allow fastest issue resolution and quickest return on investment.

Because of the minimal maintenance required for the SIMPLEX FB it is suggested to keep the necessary parts in stock.

Regular cleaning will also add to the longevity of the plant.

In need of professional refurbishment? We offer expert overhauls and repairs with genuine spare parts.

- The best way to clean is by using an industrial vacuum cleaner.
- The plant is to be dry cleaned without the usage of jet/ water stream.
- Other ways of cleaning include brushing, wiping or suction.
- If the feeder is heavily soiled and material build ups impair the functionality, the machine must be dismantled and thoroughly cleaned.

Our service technicians can help you with maintenance, service, and repairs at your location.

Qlar Online Shop

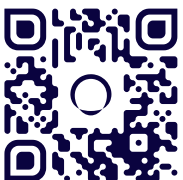
Our online platform offers a comprehensive selection of high-quality components designed to ensure the precision and reliability of your industrial weighing processes.

- +49 6151 1531 1531
- spareparts-eu@qlar.com
- shop.qlar.com/spare-parts

Please scan the QR code to visit our Online Shop.



Qlar



Still questions? Contact us:
www.qlar.com/contact

12.24 · All information is given without obligation.
All specifications are subject to change.

Brochure number BVP10035EN
© Qlar, 2024

Qlar Europe GmbH
Pallaswiesenstraße 100
64293 Darmstadt, Germany
T: +49 61 51-15 31 0
sales-eu@qlar.com
www.qlar.com