

A photograph of industrial machinery, likely a conveyor system or sorting machine, with a Schenck Process logo on a component. The image is overlaid with a green-to-purple gradient.

Qlar

Recommended spare parts for your maintenance plan

→ **MULTISTREAM G Solid Flow Meters**



Driving **circular**
transformation

- **Compact design, perfect for small or confined spaces**
- **Modular design allows for easy maintenance**

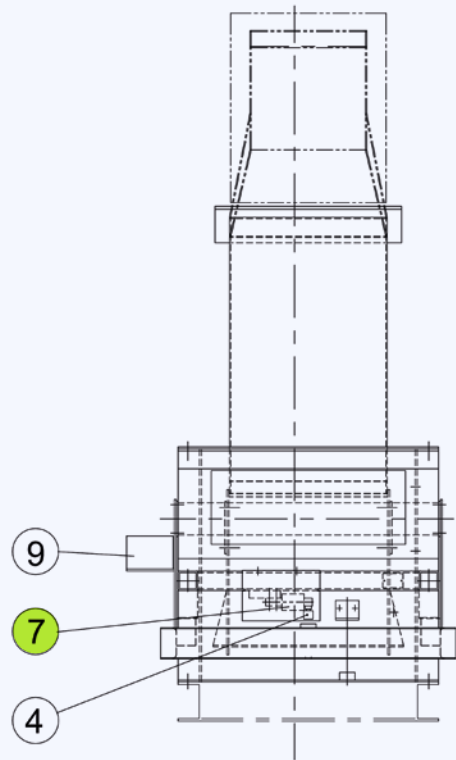
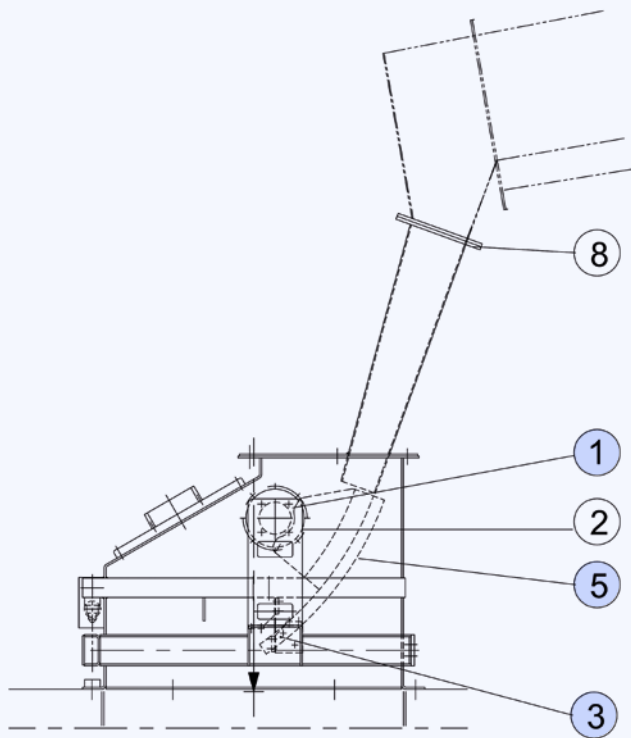


Your **MULTISTREAM G Solid Flow Meters**

MULTISTREAM G Solids Flow Meters are designed as enclosed in-line measuring systems for continuous measurement of flow rates from 4 t/h to 1.000 t/h (max. 400/750/1.250 m³/h - depending on size).

Multistream G weighing systems are known for their high accuracy, reliability, and efficiency. They can be

customized to meet the specific needs of different applications, and can be equipped with various features, such as multiple weighing points and continuous weighing, to improve their performance. They are available in a range of sizes and configurations to suit different weighing requirements.



The **spare parts summary** provides a brief overview of recommended stock quantities to enable quick response times for your maintenance team and

highlights any critical spare parts. Any unforeseen defect of critical parts listed below will inhibit productive use of the equipment until the part is replaced.

	Item number	Recommended stock quantities	
		Spare parts	Critical parts
Membrane	1	2 pcs	
Spring Plate / Flat Spring	3	4 pcs	
Measuring Chute	5	1 pc	
Load Cell	7		1 pc

Maintenance summary

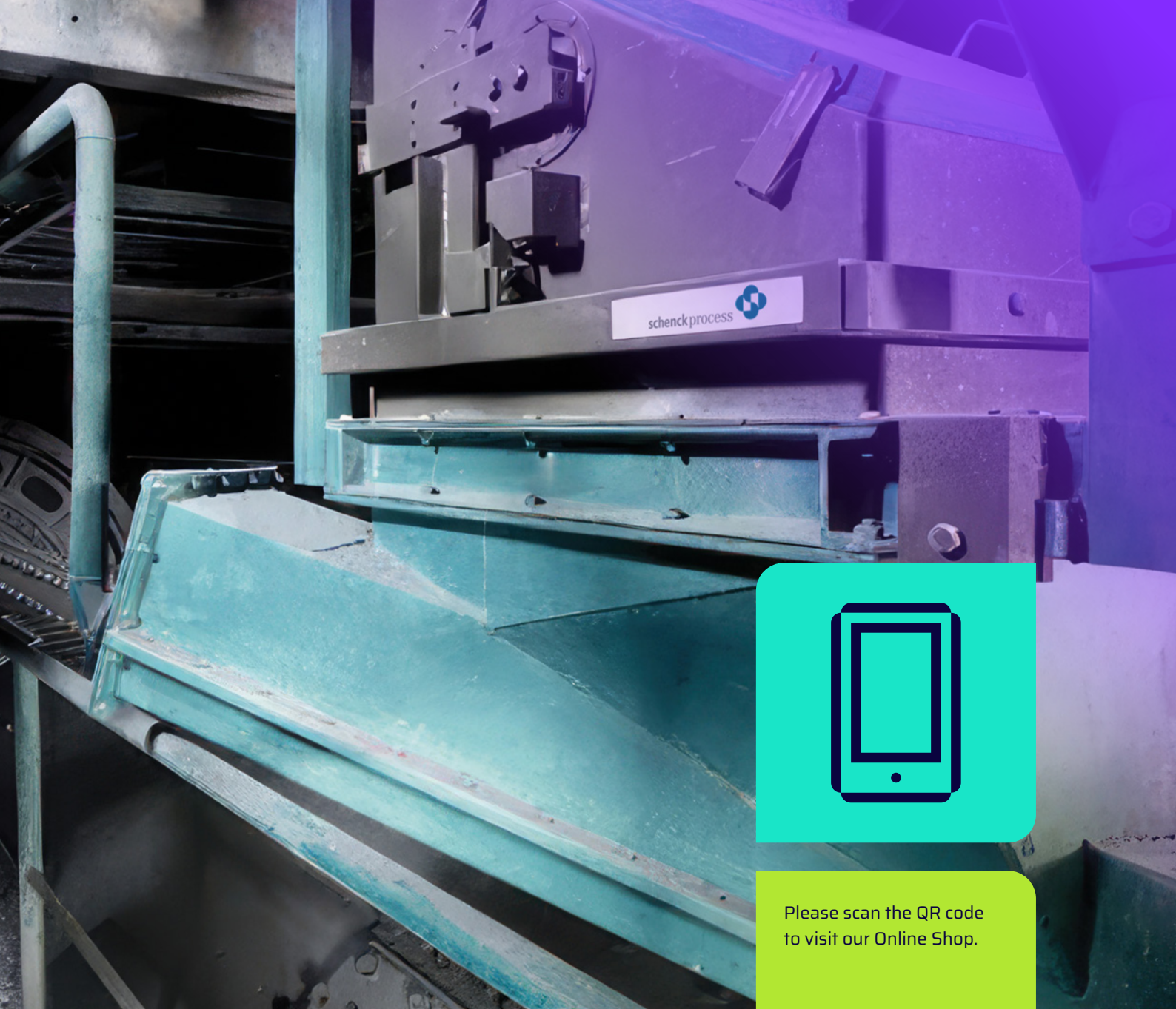
This **maintenance summary** provides a brief overview of inspection & maintenance actions. Please find any further details in the corresponding manual BVH-2542.

Inspection & maintenance intervals should be followed carefully to ensure ideal operation of the equipment.

	Recommended frequency	Trigger	Action
Check Measuring Chute	Quarterly	Thickness decreased to 2 mm or less	Replace Measuring Chute
Check Load Cell	In case of Deviations	Deformations or dents	Replace Load Cell & Calibrate
Check Flange Connections	Quarterly	Dust leakage	Replace Sealings
Check Sealing Membrane	Quarterly	Dust leakage or Membrane lost flexibility	Replace Sealing Membrane
Check Earthing Points	Quarterly	Corrosion	Replace Corroded Screws
Clean Equipment	Quarterly		Remove Dust Deposits

Preventive maintenance replacements help to avoid downtime due to material fatigue.

	Recommended frequency	Required quantity
Measuring Chute	Annually	1 pc
Sealing Membrane	Annually	2 pcs



Please scan the QR code to visit our Online Shop.

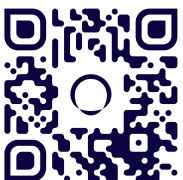
Qlar Online Shop

Our online platform offers a comprehensive selection of high-quality components designed to ensure the precision and reliability of your industrial weighing processes.

- +49 6151 1531 1531
- spareparts-eu@qlar.com
- shop.qlar.com/spare-parts



Qlar



Still questions? Contact us:
www.qlar.com/contact

12.24 · All information is given without obligation.
All specifications are subject to change.

Brochure number BVP10027EN
© Qlar, 2024

Qlar Europe GmbH
Pallaswiesenstraße 100
64293 Darmstadt, Germany

T: +49 61 51-15 31 0

sales-eu@qlar.com
www.qlar.com