



Qlar

## Recommended spare parts for your maintenance plan

→ MULTIDOS VDP-C & VDP-R2



Driving **circular**  
transformation

# MULTIDOS VDP-C & VDP-R2

- Precise feeding under difficult conditions
- Feeding system adaptable to your requirements

The MULTIDOS is an apron weighfeeder with an integrated weighing technology for difficult-to-remove or hot bulk solids. It's remarkable for its compact design and a short overall length.

The MULTIDOS VDP-R2 and VDP-C metering plate conveyor is a complete metering system with extensive variants to meet the demand for different feed rates, discharge forces, bulk solids properties and application-specific boundary conditions to meet the requirements.

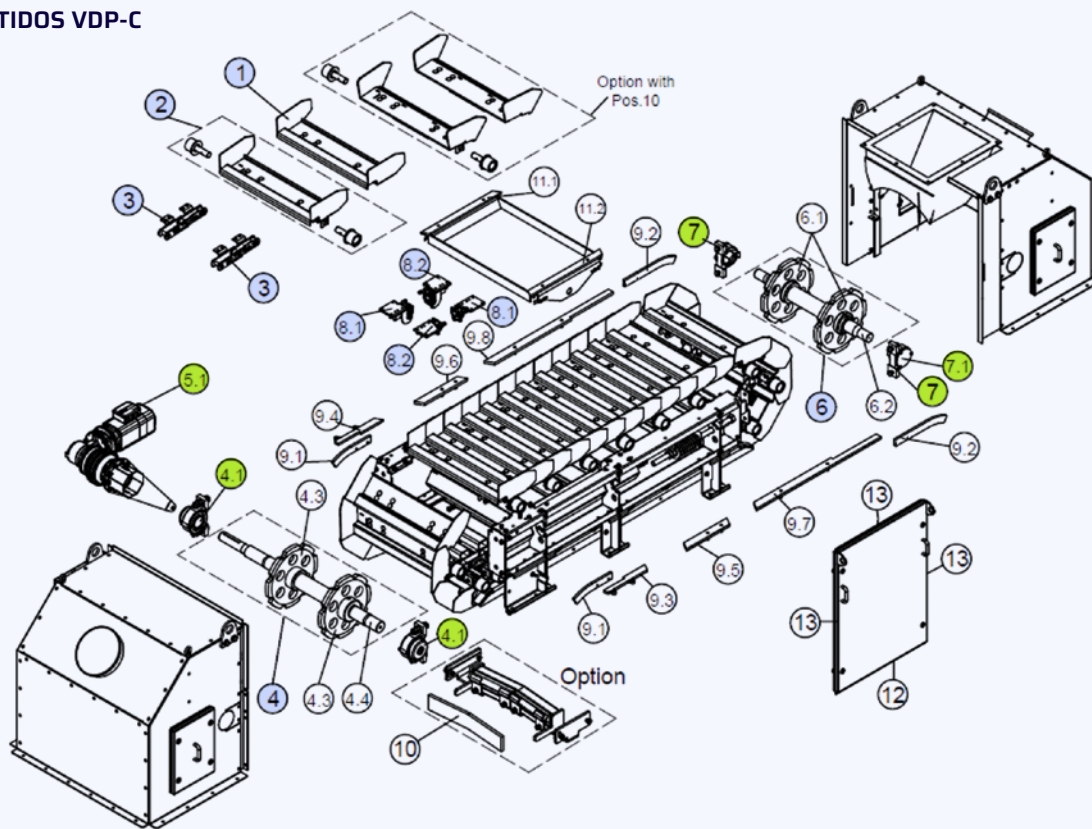
While the MULTIDOS VDP-C is easily adapted to your specific needs, the MULTIDOS VDP-R2 allows even for sticky materials to be fed without losing accuracy.

The following **spare parts summary** provides a brief overview of recommended stock quantities to enable quick response times for your maintenance team and highlights any critical spare parts. Any unforeseen defect of critical parts listed below will inhibit productive use of the equipment until the part is replaced.

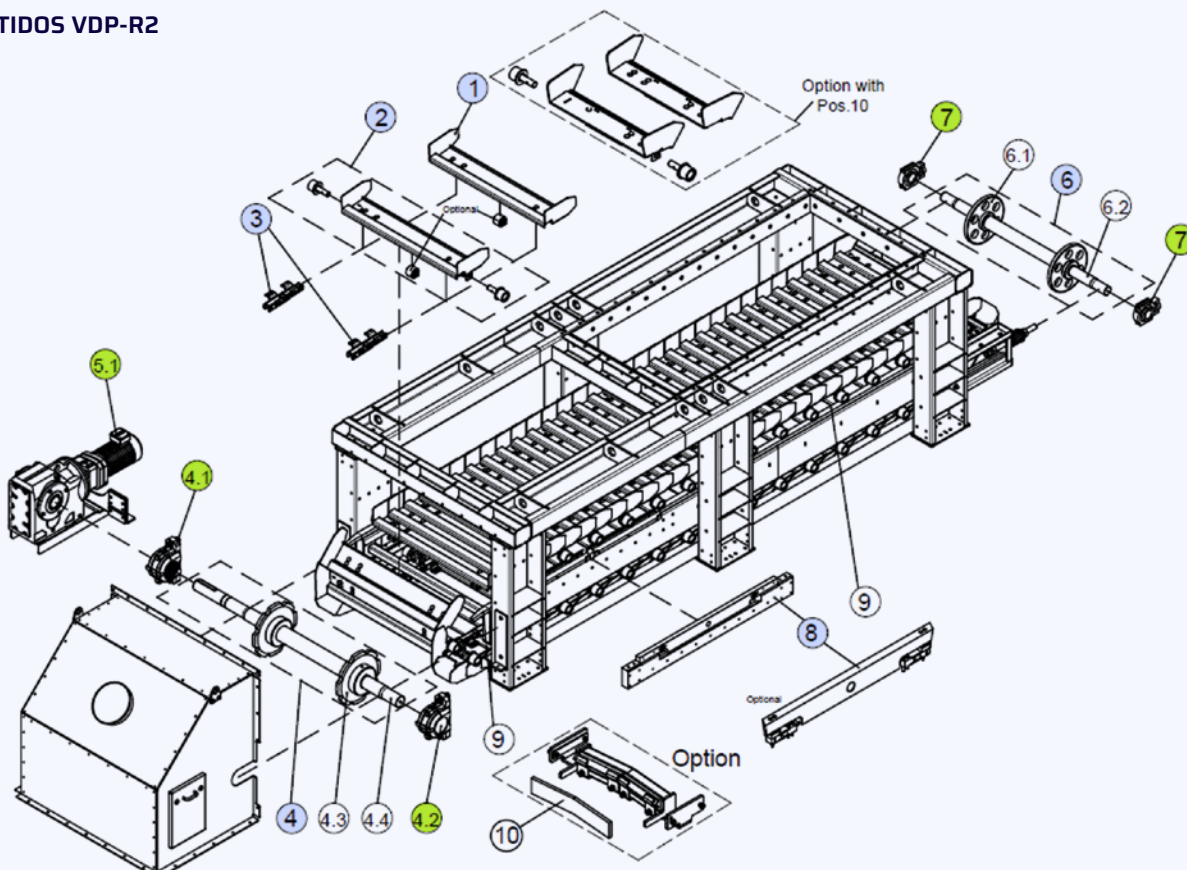
## Recommended spare parts for MULTIDOS VDP-C & VDP-R2

	Item number	Recommended stock quantities	
		Spare parts	Critical parts
Drive-shaft assembly	4	1 pc	
Drivemotor	5.1		1 pc
Tensioning-shaft assembly	6	1 pc	
Chain, Extraction plates & rollers	1, 2, 3	Depending on chain length	
Weighing module	8 (8.1, 8.2)	1 pc	
Driveshaft bearing	4.1, 4.2		1 pc each
Tensioning-shaft bearing	7 (incl. 7.1)		2 pcs
Grease for shaft bearing		1 pc	
Gearbox / transmission oil		2 pcs	

### MULTIDOS VDP-C



### MULTIDOS VDP-R2



## Maintenance summary

This **maintenance summary** provides a brief overview of inspection & maintenance actions. Please find any further details in the corresponding manual BVH2594 (VDP-C) and BVH2457 (VDP-R2).

**Inspection & maintenance intervals** should be followed carefully to ensure ideal operation of your **MULTIDOS VDP-C**.

MULTIDOS VDP-C	Recommended frequency	Trigger	Action
Belt scraper	Weekly/daily	Material accumulations	Check for wear
Extraction plates & rollers	Weekly	Strong, loud clicking noise	Check for damage and accumulated material
Drive bearings/ reversing shaft bearings	Every 6 months		Check for escaped and discolored grease
Compact weighing modules	Weekly	Feeding error	Check for dirt
Link chain	Every 6 months	Speed of apron weighfeeder deviates	Check the condition and replace worn links
Roller guard	Monthly		Check that the roller guard is fitted solidly
Guide rail	Regularly		Check the guide rail for dirt
Rail joint	Regularly		Check for wear
Hopper	Every 6 months		Check the clearance between hopper and feeder
Pretensioning of apron weigh feeder	Every 6 months		Check for equal tension on both sides.

**Inspection & maintenance intervals** should be followed carefully to ensure ideal operation of your **MULTIDOS VDP-R2**.

<b>MULTIDOS VDP-R2</b>	<b>Recommended frequency</b>	<b>Trigger</b>	<b>Action</b>
<b>Extraction plates &amp; rollers</b>	Weekly	Strong, loud clicking noise	Check for dirt and damage
<b>Belt scraper</b>	Weekly/daily	Material accumulations	Check for wear
<b>Drive bearings/ reversing shaft bearings</b>	Regularly		Check for escaped and discolored grease
<b>Weighing track</b>	Weekly	Feeding error	Check for dirt and caking
<b>Weighing track with PWS load cell</b>	Weekly	Feeding error	Check for dirt and caking
<b>Guide rail</b>	Weekly/daily		Check the guide rail for dirt
<b>Rail joint</b>	Weekly/daily		Check the joint for wear and accumulated material
<b>Pretensioning of apron conveyor</b>	Regularly		Check for equal tension on both sides.
<b>Hopper</b>	Regularly		Check the clearance between hopper and feeder

**Preventive maintenance in form of lubrication** helps to avoid downtime due to wear and tear.

	<b>Lubricant according to DIN 51502</b>	<b>Recommended frequency</b>	<b>Required quantity per lubricating point</b>
<b>Gearbox KA87</b>	Oil CLP 220	Every 10,000 h of operation	3.7L
<b>Ancillary transmission R57</b>	Oil CLP 220	Every 10,000 h of operation	0.8L
<b>Drive shaft bearing</b>	Lithium soap-grease, synthetic	Dependent on operation	Fill bearing space completely
<b>Reversing shaft bearing</b>	Lithium soap-grease, synthetic	Dependent on operation	Fill bearing space completely

**Highest Plant Availability** through quick replacement is possible. Our modular design solution enables easy replacement in case of any unforeseen malfunctions. **Spare Units** allow fastest issue resolution and quickest return on investment. The above and below suggested spare parts and maintenance schedules can change depending on the usage of the machine.

Regular cleaning will add to the longevity of the plant.

- The Equipment can be damaged due to incorrect cleaning. With the following exceptions, a limited cleaning of the machine can be performed with a steam jet cleaner.

Parts not to be exposed to a direct steam jet or compressed air:

- The front side of the rollers
- The bearings of the drive and reversing shafts
- The compact weighing modules of the weighing track
- The gearbox shaft seal

- After cleaning, check to ensure that the functionality of these components has not been impaired.
- It is advisable to regularly check the components that are essential for operation regarding material build up and to clean them if necessary.

## Cleaning schedule

	Cleaning and Maintenance	Recommended frequency
Pre-tensioning unit	Cleaning and greasing of the sliding rails	Weekly/ every 100 of operation
Weighing track and guide rails	Cleaning	Weekly
Extraction plates	Cleaning	Weekly
Motor	Cleaning cooling fins	Weekly
Rollers	Clean the contact surfaces	Weekly

**In need of professional refurbishment?** We offer expert overhauls and repairs with genuine spare

parts. Our service technicians can help you with maintenance, service, and repairs at your location.



Please scan the QR code  
to visit our Online Shop.

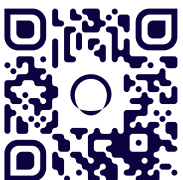
## Qlar Online Shop

Our online platform offers a comprehensive selection of high-quality components designed to ensure the precision and reliability of your industrial weighing processes.

- +49 6151 1531 1531
- [spareparts-eu@qlar.com](mailto:spareparts-eu@qlar.com)
- [shop.qlar.com/spare-parts](https://shop.qlar.com/spare-parts)



# Qlar



**Still questions? Contact us:**  
[www.qlar.com/contact](http://www.qlar.com/contact)

12.24 · All information is given without obligation.  
All specifications are subject to change.

Brochure number BVP10037EN  
© Qlar, 2024

Qlar Europe GmbH  
Pallaswiesenstraße 100  
64293 Darmstadt, Germany

T: +49 61 51-15 31 0

[sales-eu@qlar.com](mailto:sales-eu@qlar.com)  
[www.qlar.com](http://www.qlar.com)