



Qlar

Recommended spare parts for your maintenance plan

→ **MULTICOR K Mass-flow measuring unit**



Driving **circular**
transformation

- For pulverized materials
- Direct feeding in pneumatic conveying

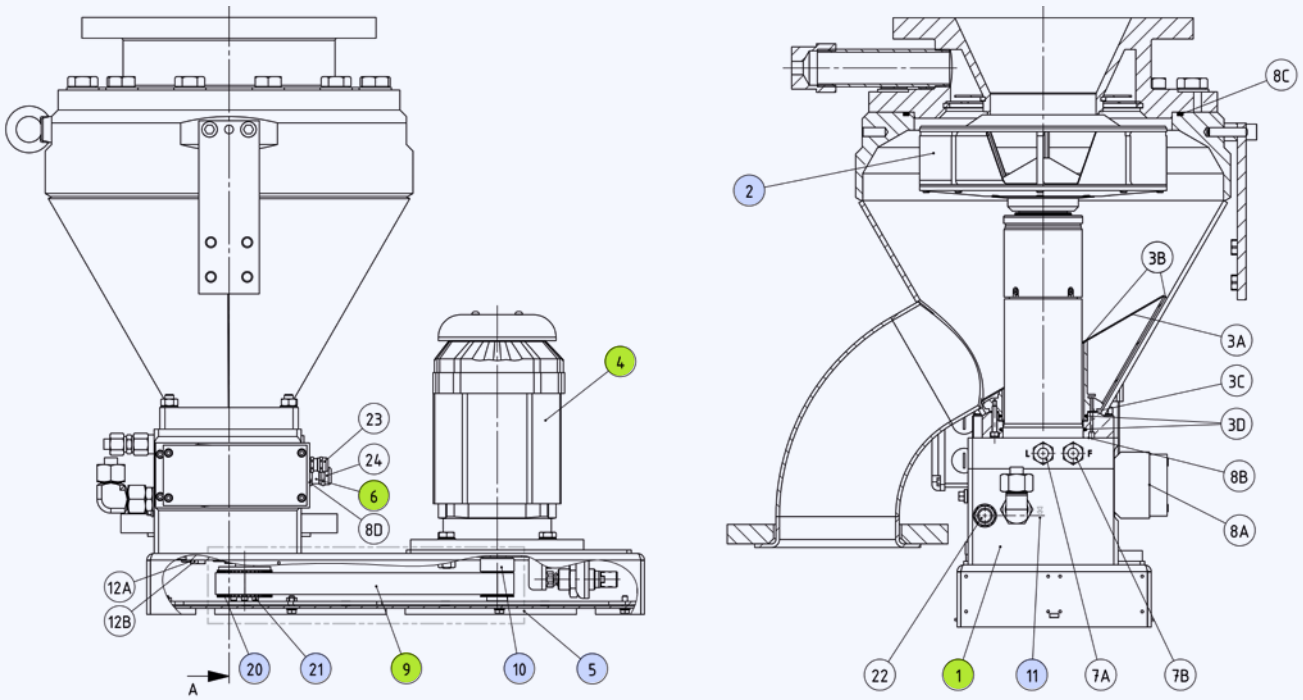


Your **MULTICOR K**

MULTICOR K Coriolis Flow Meters are designed as enclosed in-line measuring systems for continuous measurement of pulverized material, such as coal dust.

They are typically used when firing rotary kilns in cement production. The feeding takes place from a depressurized supply bin, directly into a pneumatic conveyor line. The measuring signal from MULTICOR K effectively controls the feed rate.





The **spare parts summary** provides a brief overview of recommended stock quantities to enable quick response times for your maintenance team and

highlights any critical spare parts. Any unforeseen defect of critical parts listed below will inhibit productive use of the equipment until the part is replaced.

	Item number	Recommended stock quantities	
		Spare parts	Critical parts
Measuring Wheel	2	1 pc	
Motor	4		1 pc
Measuring Gearbox	1		1 pc
Belt Drive Complete	5 (incl. 9, 10, 20, 21)	1 pc	
Tooth Belt	9		1 pc
Proximity Switch	6		1 pc
Oil for Gearbox	11	2 pcs	
Grease for Shaft Bearing		1 pc	

Maintenance summary

This **maintenance summary** provides a brief overview of inspection & maintenance actions. Please find any further details in the corresponding manual BVH 2273.

Inspection & maintenance intervals should be followed carefully to ensure ideal operation of the equipment.

	Recommended frequency	Trigger	Action
Measuring Wheel	Regularly	Grinding noises, clogging, wear or deformation	Cleaning, exchange
Measuring Gearbox	Regularly	Running noises, oil leakage, high temperature	Stop & check
Oil Level and Color	Regularly	Low level or dark color	Refill, exchange, check air supply
Housing	Regularly	Leakage, high temperature	Stop & check
Motor	Regularly	Running noises, high temperature	Stop & check
Tooth Belt	Regularly		Stop & check
Wire Cloth Plate	Regularly		Stop & check

Preventive maintenance replacements help to avoid downtime due to material fatigue.

	Recommended frequency	Required quantity
Oil for Measuring Gearbox	1 year or 8,000 hours	1 pc
Grease for Shaft Bearing	2 years or 16,000 hours	1 pc
Tooth Belt	2 years or 16,000 hours	1 pc
Measuring Gearbox	9 years or 70,000 hours	1 pc

Highest Plant Availability through quick replacement is possible. Our modular design solution enable easy replacement in case of any unforeseen malfunctions (e.g. hot spots or foreign objects). **Spare Units** allow fastest issue resolution and quickest return on investment.



Spare Gearboxes enable fast and effective maintenance at minimum invest and required storage capacity.



In need of professional refurbishment? We offer expert overhauls and repairs with genuine spare parts and new part guarantees. Quick, simple, reliable. Various Schenck Process locations feature **local repair shops**.



Qlar Online Shop

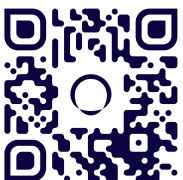
Our online platform offers a comprehensive selection of high-quality components designed to ensure the precision and reliability of your industrial weighing processes.

- +49 6151 1531 1531
- spareparts-eu@qlar.com
- shop.qlar.com/spare-parts

Please scan the QR code to visit our Online Shop.



Qlar



Still questions? Contact us:
www.qlar.com/contact

12.24 · All information is given without obligation.
All specifications are subject to change.

Brochure number BVP10017EN
© Qlar, 2024

Qlar Europe GmbH
Pallaswiesenstraße 100
64293 Darmstadt, Germany

T: +49 61 51-15 31 0

sales-eu@qlar.com
www.qlar.com