

A photograph of industrial machinery, specifically large blue rotary valve feeders, in a factory setting. The machinery is arranged in a row, and the background shows a brick wall and metal structures. The image is partially covered by a blue gradient overlay on the right side.

# Qlar

## Recommended spare parts for your maintenance plan

→ **MULTICELL Rotary Valve Feeder**



Driving **circular**  
transformation

- For pulverized materials
- Direct feeding in pneumatic conveying

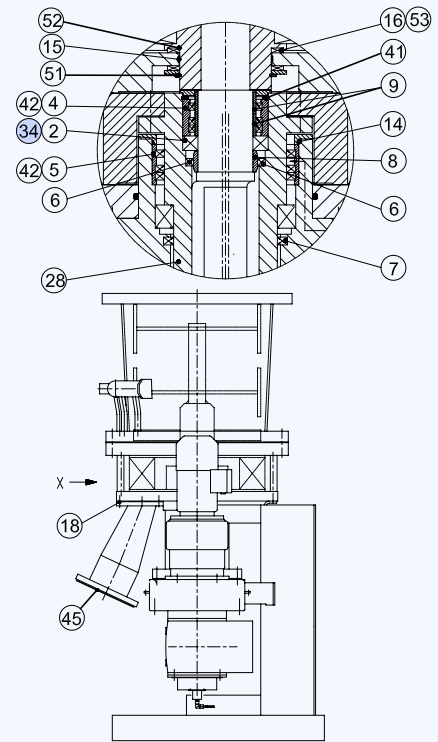
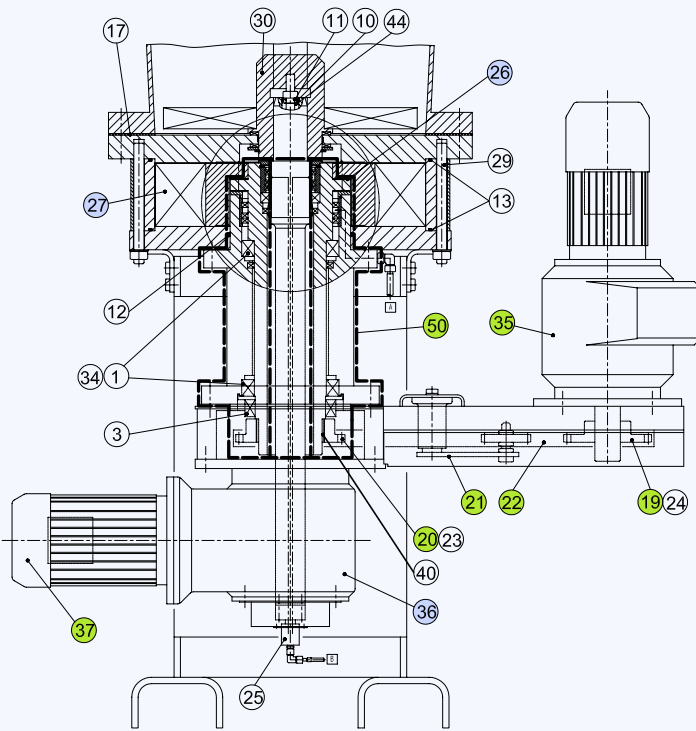


## Your **MULTICELL**

MULTICELL Horizontal Rotary Valve Feeders are designed as enclosed in-line silo dispensing systems for continuous feeding of pulverized materials, such as coal dust. They form part of a pneumatic conveying system.







The **spare parts summary** provides a brief overview of recommended stock quantities to enable quick response times for your maintenance team and

highlights any critical spare parts. Any unforeseen defect of critical parts listed below will inhibit productive use of the equipment until the part is replaced.

	Item number	Recommended stock quantities	
		Spare parts	Critical parts
<b>Repair Kit Drive Strand</b>	50		1 pc
<b>Chain &amp; Sprockets</b>	19, 20, 21, 22		1 pc
<b>Star Wheel &amp; Shim Ring</b>	26, 27	1 pc	
<b>Motor Star Wheel</b>	35		1 pc
<b>Motor Agitator</b>	37		1 pc
<b>Reduction Gear Agitator</b>	36	1 pc	
<b>Sealings (set available)</b>	Various	1 set	
<b>Grease / Lubricant</b>	34	1 can 5 kg	

# Maintenance summary

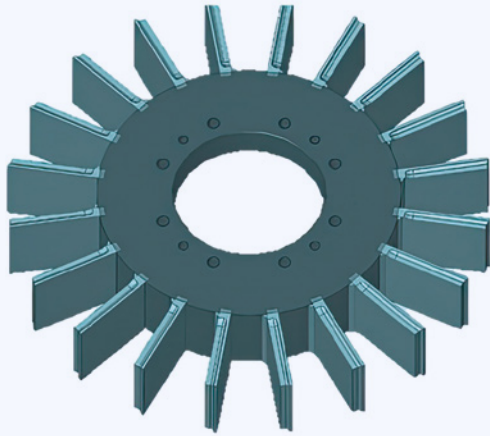
This **maintenance summary** provides a brief overview of inspection & maintenance actions. Please find any further details in the corresponding manual FH 5431.

**Inspection & maintenance intervals** should be followed carefully to ensure ideal operation of the equipment.

	Frequency	Trigger	Action
<b>Star Wheel Clearance</b>	Regularly	Clearance larger 0.35 mm	Maintenance required - EX risk
<b>Housing</b>	Regularly	Leakage or high surface temperature	Stop & check
<b>Chain Drive</b>	Regularly	Running noises	Check for wear & tension
<b>Drive Strand</b>	Regularly	Running noises	Stop & check
<b>Sealings</b>	Regularly	Leakage	Stop & check

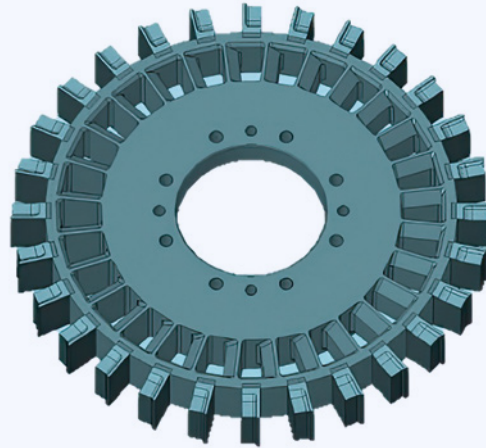
**Preventive maintenance replacements** help to avoid unexpected downtime due to material fatigue.

	Frequency	Required quantity
<b>Star Wheel</b>	Determined by clearance & wear	1 pc
<b>Chain Drive</b>	3 years or 25,000 hours	1 pc
<b>Grease Drive Strand Bearings</b>	3 years or 25,000 hours	1 can 5 kg
<b>Drive Strand Bearings</b>	9 years or 75,000 hours	1 set
<b>Drive Strand Seal Rings</b>	3 years or 25,000 hours (lubricated)	1 set
<b>Sealings</b>	Related to interventions	1 pc



**Standard:**

1:5 ratio with focus on high feedrates.



**Our solution:**

1:10 ratio with minimum reduction of maximum feedrate.

**Starwheel Retrofit** to meet changed feedrate requirements. Increasing use of alternative fuels leads to decreasing coal dust usage. Our MULTICELL can be retrofitted to adjust to lower feedrates at high feed constancy to ensure **Pulsation-free Kiln & Calciner Firing**.

**Highest plant availability** through quick replacement possibilities. Our modular design solution enable

easy replacement in case of any unforeseen malfunctions (e.g. hot spots or foreign objects).

**Spare units** allow fastest issue resolution and quickest return on investment.

**In need of professional refurbishment?**

We offer expert overhauls and repairs with genuine spare parts and new part guarantees. Quick, simple, reliable **Repairs made easy**.

## Qlar Online Shop

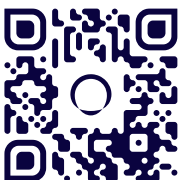
Our online platform offers a comprehensive selection of high-quality components designed to ensure the precision and reliability of your industrial weighing processes.

- +49 6151 1531 1531
- [spareparts-eu@qlar.com](mailto:spareparts-eu@qlar.com)
- [shop.qlar.com/spare-parts](https://shop.qlar.com/spare-parts)

Please scan the QR code to visit our Online Shop.



# Qlar



**Still questions? Contact us:**  
[www.qlar.com/contact](http://www.qlar.com/contact)

12.24 · All information is given without obligation.  
All specifications are subject to change.

Brochure number BVP10018EN  
© Qlar, 2024

Qlar Europe GmbH  
Pallaswiesenstraße 100  
64293 Darmstadt, Germany

T: +49 61 51-15 31 0

[sales-eu@qlar.com](mailto:sales-eu@qlar.com)  
[www.qlar.com](http://www.qlar.com)