



Qlar

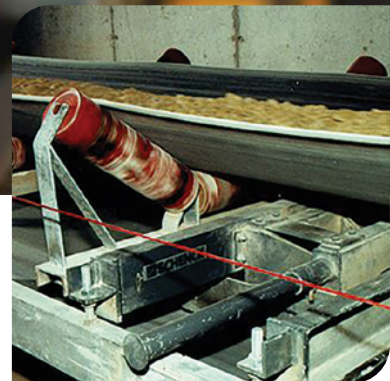
Recommended spare parts for your maintenance plan

→ **MULTIBELT Belt Scale**



Driving **circular**
transformation

- A wide range of belt widths and speed for your production
- Build with high-quality materials to ensure a long service life



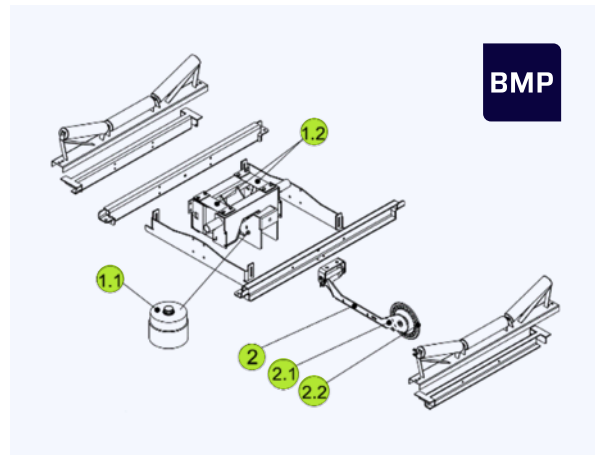
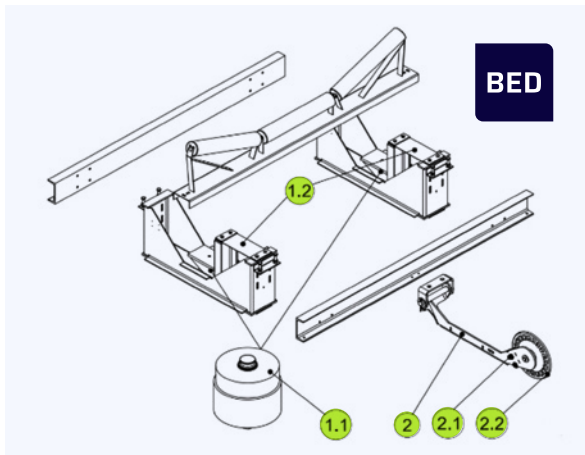
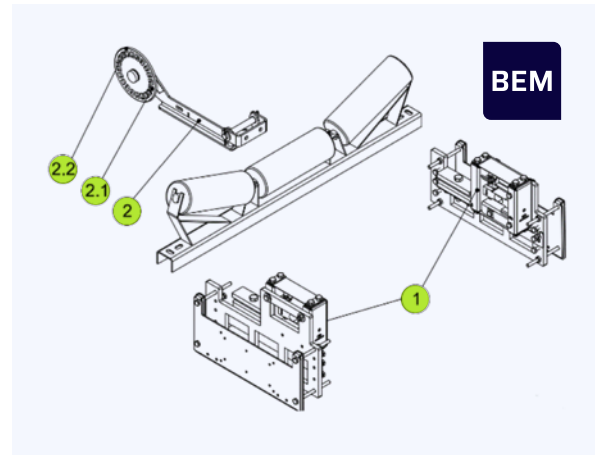
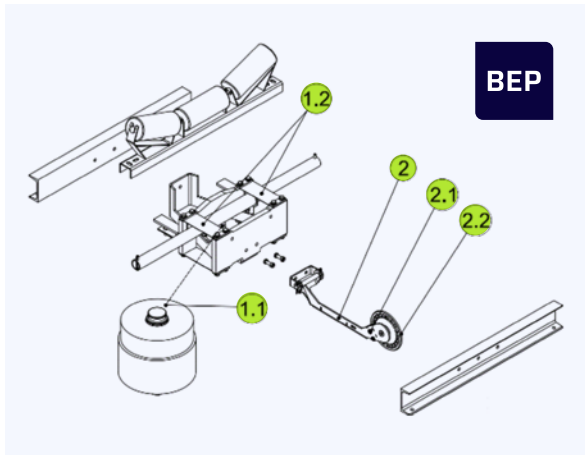
Your new **MULTIBELT Belt Scale**

Accuracy and flexibility are critical requirements for the measurement of materials in all conditions. The MULTIBELT offers outstanding weighing accuracy for a multitude of conveyor belt weighing applications.

The applications include production and logistics, throughput and consumption rate measurement for production systems, internal balancing of supply and

withdrawal, load limit signalling, batching at loading stations or pre-feeder control and legal-for-trade weighing.

The MULTIBELT conveyors can be customized to meet specific customer needs, with options such as different belt widths, belt speeds, and belt materials to suit different applications and materials.



The **spare parts summary** provides a brief overview of recommended stock quantities to enable quick response times for your maintenance team and

highlights any critical spare parts. Any unforeseen defect of critical parts listed below will inhibit productive use of the equipment until the part is replaced.

	Item number	Recommended stock quantities	
		Spare parts	Critical parts
Weighing Module assembly	1, 1.1, 1.2		1 set
Speed sensor assembly	2 (incl. 2.1, 2.2)		1 set
Carrying Idlers		1 set	

Maintenance summary

This **maintenance summary** provides a brief overview of inspection & maintenance actions. Please find any further details in the corresponding manual BV-H2190.

Inspection & maintenance intervals should be followed carefully to ensure ideal operation of the equipment.

	Recommended frequency	Trigger	Action
Weighing module	Regularly	Weighing accuracy gives rise to doubt	Check weighing module for visible damage
Carrying Idlers	Regularly	Weighing accuracy gives rise to doubt	Check position of every carrying idler and align if needed, replace all idlers featuring an impact tolerance > 0.2 mm
Speed Sensor	Regularly	Belt speed gives rise to doubt	Replacement if rubber is worn down and friction wheel rim is only 2 mm from the belt





Please scan the QR code
to visit our Online Shop.

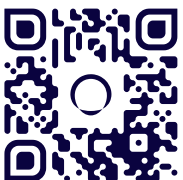
Qlar Online Shop

Our online platform offers a comprehensive selection of high-quality components designed to ensure the precision and reliability of your industrial weighing processes.

- +49 6151 1531 1531
- spareparts-eu@qlar.com
- shop.qlar.com/spare-parts



Qlar



Still questions? Contact us:
www.qlar.com/contact

12.24 · All information is given without obligation.
All specifications are subject to change.

Brochure number BVP10029EN
© Qlar, 2024

Qlar Europe GmbH
Pallaswiesenstraße 100
64293 Darmstadt, Germany

T: +49 61 51-15 31 0

sales-eu@qlar.com
www.qlar.com