



Olar

Recommended spare parts for your maintenance plan

→ **Loss-In-Weight Feeder MET CF**



Driving **circular**
transformation

- Feeders designed for high capacity, durability, and easy to maintain
- Integrated measuring, control, and supervisory electronics



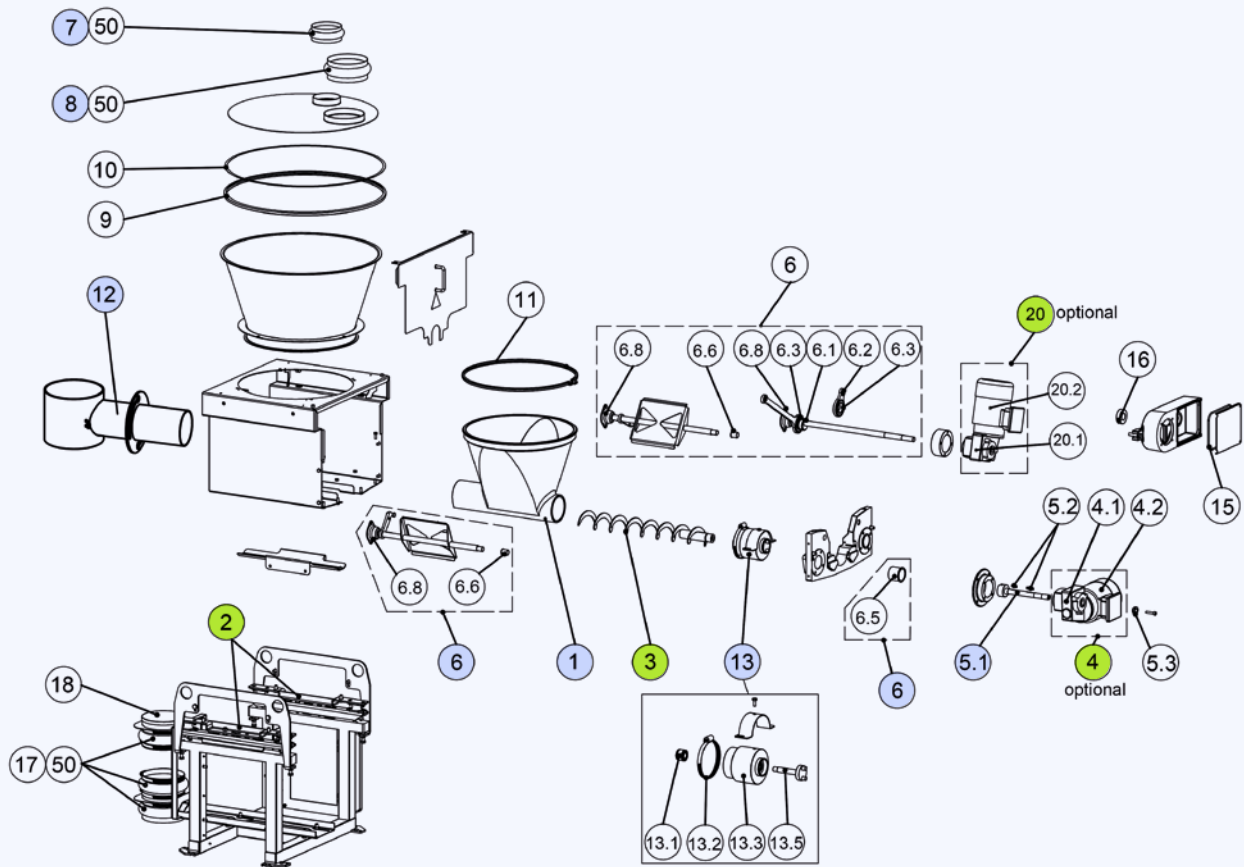
Your Loss-In-Weight Feeder MET CF

The LIW Feeder MET CF is perfectly suited for volumetric or gravimetric feeding applications handling materials ranging from sugar in food processing to carbon black for use in plastics.

The LIW Feeder MET CF enables the contact parts to be removed and mounted from the non-process side

for material change and cleaning, thus minimizing downtimes and reducing operating costs.

The LIW Feeder MET CF can be customized to meet specific customer needs, with options such as different screw sizes, drive configurations, and integration with other process control systems.



The **spare parts summary** provides a brief overview of recommended stock quantities to enable quick response times for your maintenance team and

highlights any critical spare parts. Any unforeseen defect of critical parts listed below will inhibit productive use of the equipment until the part is replaced.

	Item number	Recommended stock quantities	
		Spare parts	Critical parts
Hopper	1	1 pc	
Weighing Modules	2		1 set
Discharging element	3		1 pc
Drive Shaft	5.1	1 pc	
Bearing kit for paddle drive	6	1 pc	
Flexible Connections	7/8	1 set	
Sealings	Various	1 set	
Vertical Discharge assembly	12	1 pc	
Bearing Discharging Element	13	1 pc	
Gear Motors	4/20		1 pc

Maintenance summary

This **maintenance summary** provides a brief overview of inspection & maintenance actions. Please find any further details in the corresponding manual BVH-2152.

Inspection & maintenance intervals should be followed carefully to ensure ideal operation of the equipment.

	Recommended frequency check	Trigger	Action
Hopper & Discharging Unit	Regularly		Cleaning machine for inspection and maintenance
Hopper & Discharging unit	Regularly	Material is compacting in hopper / Sticking in discharging unit	Install lager discharge unit+nozzle / Reduce motor speed
Drive Line	During cleaning	Leakage of oil from gearbox	Replacement of drive line
Discharge Element Subassembly	During cleaning	Discharge is malfunctioning	Check drive line and discharging element
Discharge Element	During cleaning	Visible damage or malfunction	Replacement of discharge element
Discharge Pipe	During cleaning	Leakage of bulk solids	Replace discharge pipe
Paddle Assembly	During cleaning	Bulk solids forms bridges / Paddles are barley touching hopper	Check subassembly and drive unit - replace if damaged

Preventive maintenance replacements help to avoid downtime due to material fatigue.

	Recommended frequency	Required quantity
Sealings, Bearings & Lubricant	3 years or 25,000 hours	1 set
Drive Line	8 years	1 pc



Please scan the QR code
to visit our Online Shop.

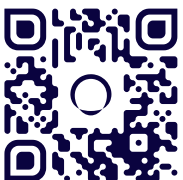
Qlar Online Shop

Our online platform offers a comprehensive selection of high-quality components designed to ensure the precision and reliability of your industrial weighing processes.

- +49 6151 1531 1531
- spareparts-eu@qlar.com
- shop.qlar.com/spare-parts



Qlar



Still questions? Contact us:
www.qlar.com/contact

12.24 · All information is given without obligation.
All specifications are subject to change.

Brochure number BVP10031EN
© Qlar, 2024

Qlar Europe GmbH
Pallaswiesenstraße 100
64293 Darmstadt, Germany

T: +49 61 51-15 31 0

sales-eu@qlar.com
www.qlar.com